



# THERMO- FORMING MACHINES

Individual packaging solutions for  
unique products.

## WEBOMATIC

BUILDING TRUST SINCE 1958



## For trade, craft and industry.

Although today **WEBOMATIC** is a multinational family business, we have not forgotten our roots and traditions. Since 1958 **WEBOMATIC** is the ideal partner for small, medium and industrial sized companies.

Whether you want to pack food products (e.g., fresh and processed meat, dairy products, convenience meals, fresh or pickled vegetables, pasta, fish, frozen foods, etc.) or non-food products (e.g., sterile pharma goods or cosmetics), **WEBOMATIC** offers a wide range to pack your product in thermoforming machines.

## Our thermoforming machines are individually tailored to the needs and products of each customer and range from compact thermoforming solutions to highly efficient thermoforming machines for industrial multi-shift operation.

This smart packaging technology creates individually formed, cut and optionally branded or upgraded packages at entry-level as well as at industrial high-speed volumes.

**WEBOMATIC** thermoforming machines are ingenious in their application: in industry-wide known packaging styles with flexible and rigid films with either vacuum or modified atmosphere (MAP), with sophisticated skin and form shrink styles, or with top film forming, that allows creating Snap-In Lids.



**WEBOMATIC®**





# THERMOFORMING MACHINES

ML-C 2600

---

ML-C 3600

---

ML-C 5600

---

ML-C 7600

**WEBOMATIC**

# Available range

## Thermoforming Machines



ML-C 2600



ML-C 3600



ML-C 5600



ML-C 7600

	ML-C 2600	ML-C 3600	ML-C 5600	ML-C 7600
Area of Use	Food, Non-Food	Food, Non-Food	Food, Non-Food	Food, Non-Food
Size / capacity	●●●●●	●●●●●	●●●●●	●●●●●
Output	●●●●●	●●●●●	●●●●●	●●●●●
Degree of customization	●●●●●	●●●●●	●●●●●	●●●●●
Packaging shape variants	12 standards	freely definable	freely definable	freely definable
Packaging style	Vacuum, MAP, Pseudo-skin, Form shrink, 2pack	Vacuum, MAP, Pseudo-skin, Form shrink, 2pack	Vacuum, MAP, Pseudo-skin, Protrude-skin, Form shrink, 2pack	Vacuum, MAP, Pseudo-skin, Form shrink, 2pack
Index/Repeat length §	120 – 300 mm (max. 300 mm also with pre-heating)	120 – 400 mm (max. 400 mm also with pre-heating)	200 – 600 mm (max. 600 mm with pre-heating) (only skin: 200 – 400 mm)	200 – 1.000 mm (max. 600 mm with pre-heating)
Draw depth	Max. 130 mm	Max. 130 mm	Max.130 mm / max. 70 mm - skin	Max. 190 mm
Bottom film width	322, 362, 422 mm	322 – 462 mm	322 – 562 mm	322 – 662 mm
<b>Bottom film:</b> Flexible film	PA/PE, Tyvec, max. 600 µm	PA/PE, Tyvec, max. 800 µm	PA/PE, Tyvec, max. 1200 µm	PA/PE, Tyvec, max. 1200 µm
Rigid film	e.g. PET, PVC, PS	e.g. PET, PVC, PP, PS	e.g. PET, PVC, PP, PS	e.g. PET, PVC, PP, PS
<b>Top film:</b> Flexible film	e.g. PA/PE, Tyvec, PP	e.g. PA/PE, Tyvec, PP	e.g. PA/PE, Tyvec, PP	e.g. PA/PE, Tyvec, PP
Rigid film	-	Optional	Optional	Optional

● STANDARD EQUIPMENT

— NOT AVAILABLE

\* DEPENDING ON PRODUCT AND APPLICATION

§ MAX. INDEX VARIES WITH ONE PRE-HEATING MODULE



	ML-C 2600	ML-C 3600	ML-C 5600	ML-C 7600
WEBOMATIC CleanDesign®	•	•	•	•
WEBOMATIC Sealing Technology	•	•	•	•
Forming procedures	Standard: compressed air Optional: compressed air and vacuum, plug assist forming	Standard: compressed air Optional: compressed air and vacuum, plug assist forming	Standard: compressed air Optional: compressed air and vacuum, plug assist forming	Standard: compressed air Optional: compressed air and vacuum, plug assist forming
Top film forming	-	Optional	Optional	Optional
Cutting	Standard: guillotine cut Optional: Zigzag cut, Perforation cut, Round corners, Squeezing knife	Standard: guillotine cut Optional: Zigzag cut, Perforation cut, Round corners, Squeezing knife, Strip punch, Contour or complete cut	Standard: guillotine cut Optional: Zigzag cut, Perforation cut, Round corners, Squeezing knife, Strip punch, Contour or complete cut	Standard: guillotine cut Optional: Zigzag cut, Perforation cut, Round corners, Squeezing knife, Strip punch, Contour or complete cut
Film rewinding with dancer arms	Optional	Optional	Optional	Optional
Opening aids	Optional	Optional	Optional	Optional
Pre-heating	Optional	Optional	Optional	Optional
WEBOMATIC On-The-Fly Format Change	-	Optional	Optional	Optional
Pseudo-skin	Optional	Optional	Optional	Optional
Protrude-skin	-	-	Optional	-
WEBOMATIC 2pack	Optional	Optional	Optional	Optional
Form shrink	Optional	Optional	Optional	Optional

• STANDARD EQUIPMENT

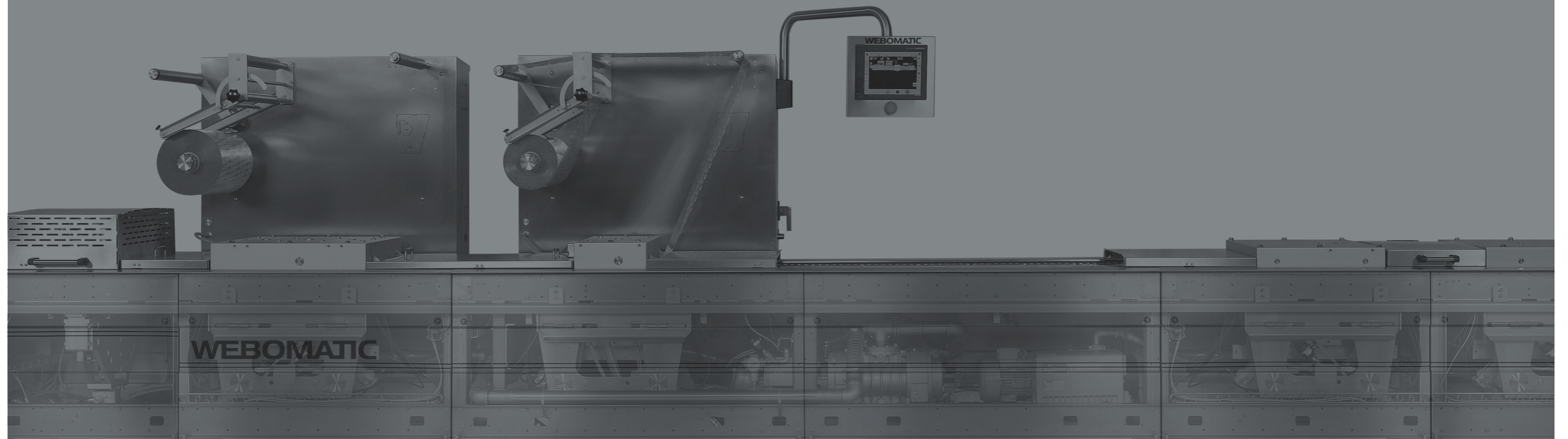
— NOT AVAILABLE

\* DEPENDING ON PRODUCT AND APPLICATION

§ MAX. INDEX VARIES WITH ONE PRE-HEATING MODULE



# Thermofforming Machines



WEBOMATIC thermoforming machines are based upon four models that are individually designed for each customer's needs and products. They reflect state-of-the-art technology in material, constructions, equipment and design so that with the modular machine system, the thermoformers can be tailored to specific customer requirements.

This modularity applies to the outer dimensions, the variable infeed zone as well as specialised equipment and complex automation options. Adjustable infeed zones for manual or fully automatic loading, variable discharge modules for the optional use of coding and/or labelling systems, as well as various cutting operations can be perfectly integrated into each packaging line. The ultra-modern PLC control unit synchronises external modules with the thermoforming machine securely and is highly adaptable to renown digitalisation concepts.

The operator runs the thermoforming machine through an easy to use colour touch screen with a graphical interface, that shows the machine operating settings and status, packaging data and mismanagement information so that higher production transparency, cost and quality control ensure the reliability of machine and product. Moreover, a wide range of possibilities and adaptations for digitalisation concepts like industry 4.0, Industrial Internet Consortium (IIC), Industrial Value Chain Initiative (IVI) or smart factory are technically feasible.

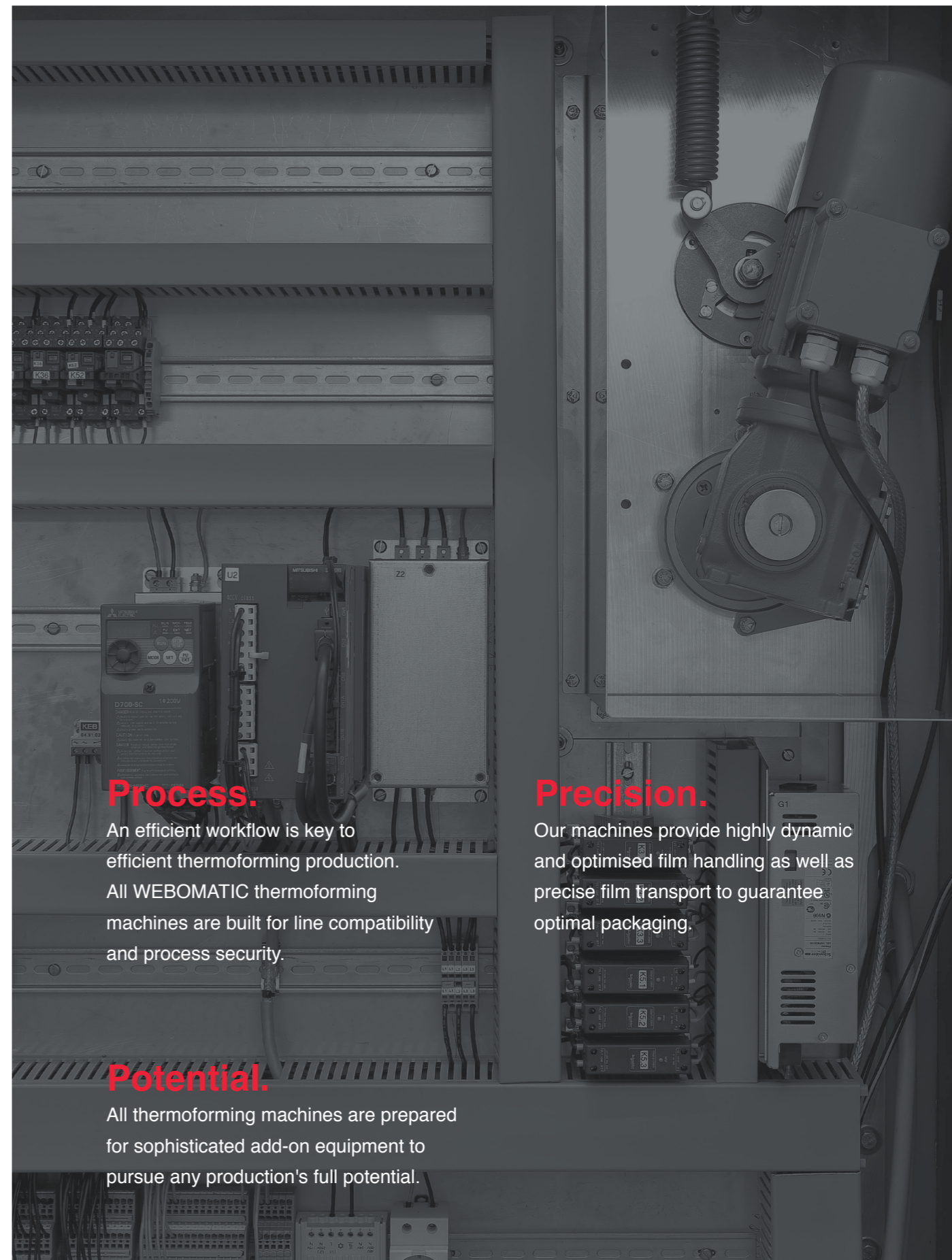




Our industrial thermoforming machines are ideally suited for the multi-shift operation and offer state-of-the-art technology while being durable and robust. The consistent WEBOMATIC CleanDesign® ensures all requirements of a time-saving hygienic cleaning in-between productions shifts and afterwards.

Further, no end is set to distinctive packaging designs with WEBOMATIC thermoforming machines. On demand, our machines can produce vacuum, MAP, shrink or skin packaging, which can be adapted to the product through various packaging options.

So there are e.g. options for optimal placement on shelves (lying, standing, hanging), packaging design with and without opening aids, as well as attractive packaging formats such as WEBOMATIC 2pack and other skin variations. WEBOMATIC thermoforming machines can process almost all authorised film materials like e.g. PA/PE, Tyvec, PP, PET, PS, PVC.



### **Process.**

An efficient workflow is key to efficient thermoforming production. All WEBOMATIC thermoforming machines are built for line compatibility and process security.

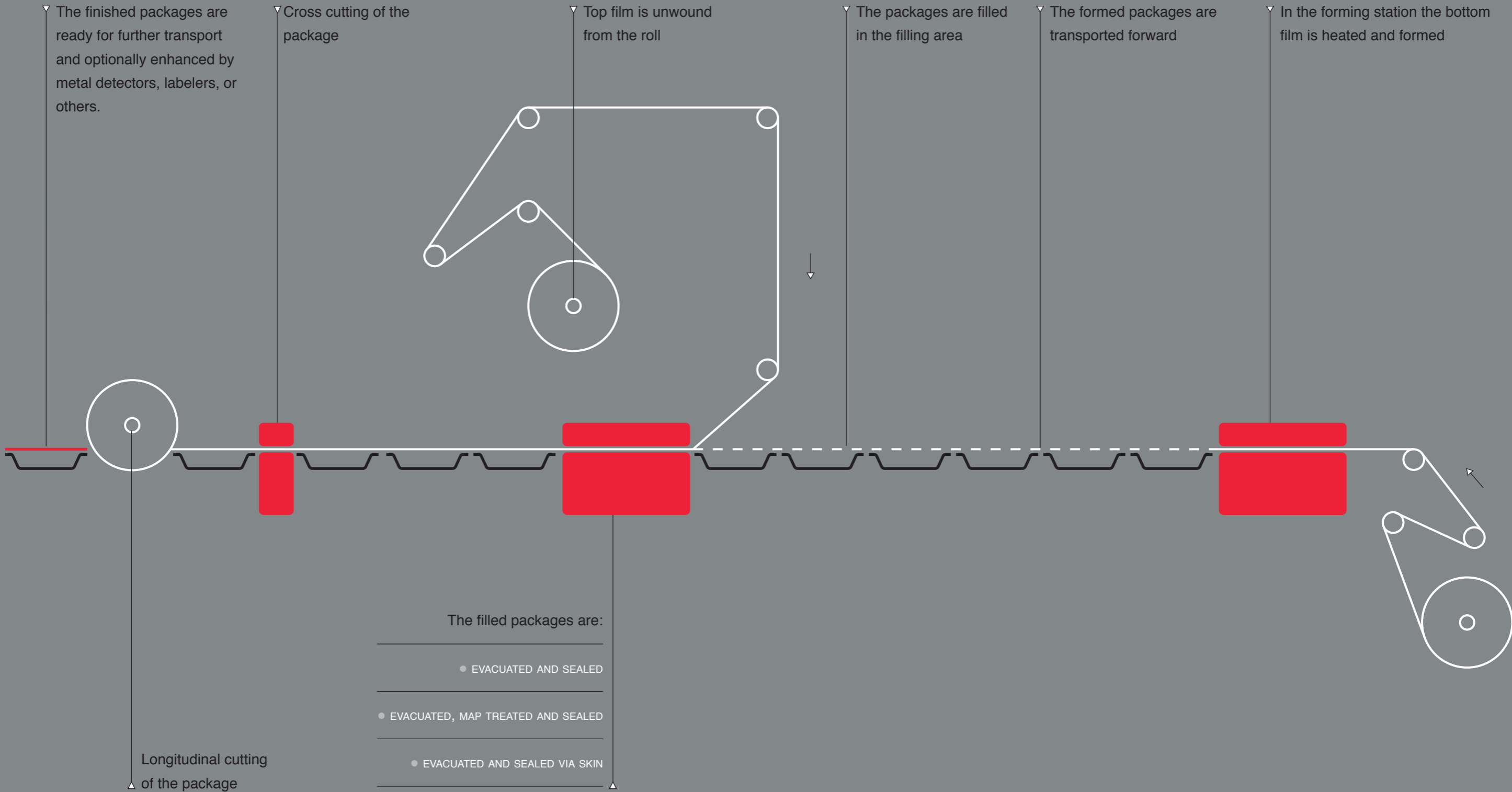
### **Precision.**

Our machines provide highly dynamic and optimised film handling as well as precise film transport to guarantee optimal packaging.

### **Potential.**

All thermoforming machines are prepared for sophisticated add-on equipment to pursue any production's full potential.





The finished packages are ready for further transport and optionally enhanced by metal detectors, labelers, or others.

Cross cutting of the package

Top film is unwound from the roll

The packages are filled in the filling area

The formed packages are transported forward

In the forming station the bottom film is heated and formed

Longitudinal cutting of the package

The filled packages are:

- EVACUATED AND SEALED
- EVACUATED, MAP TREATED AND SEALED
- EVACUATED AND SEALED VIA SKIN

# ML-C 2600

Compact entry machine

Low space requirements and full-line compatibility

Flexible and rigid films

Films up to 422 mm of width, repeat length up to 300 mm



# ML-C 2600

With a total size of just 3.7 m, the ML-C 2600 marks the compact entry into thermoforming and fits into nearly any place of use. This thermoformer is ideally suited for small or medium production and allows operation from both sides of the machine. Should preheating be applied, the loading zone is not reduced, optional pluggable forming inserts allow a product change-over within minutes. Depending on specification, the ML-C 2600 can process rigid films up to 600  $\mu\text{m}$  with a width of up to 422 mm in height repeat lengths up to 300 mm.

**Standards:** Sealing Technology, WEBOMATIC CleanDesign®, PLC control unit, WEBOMATIC Servo-Drive Technology

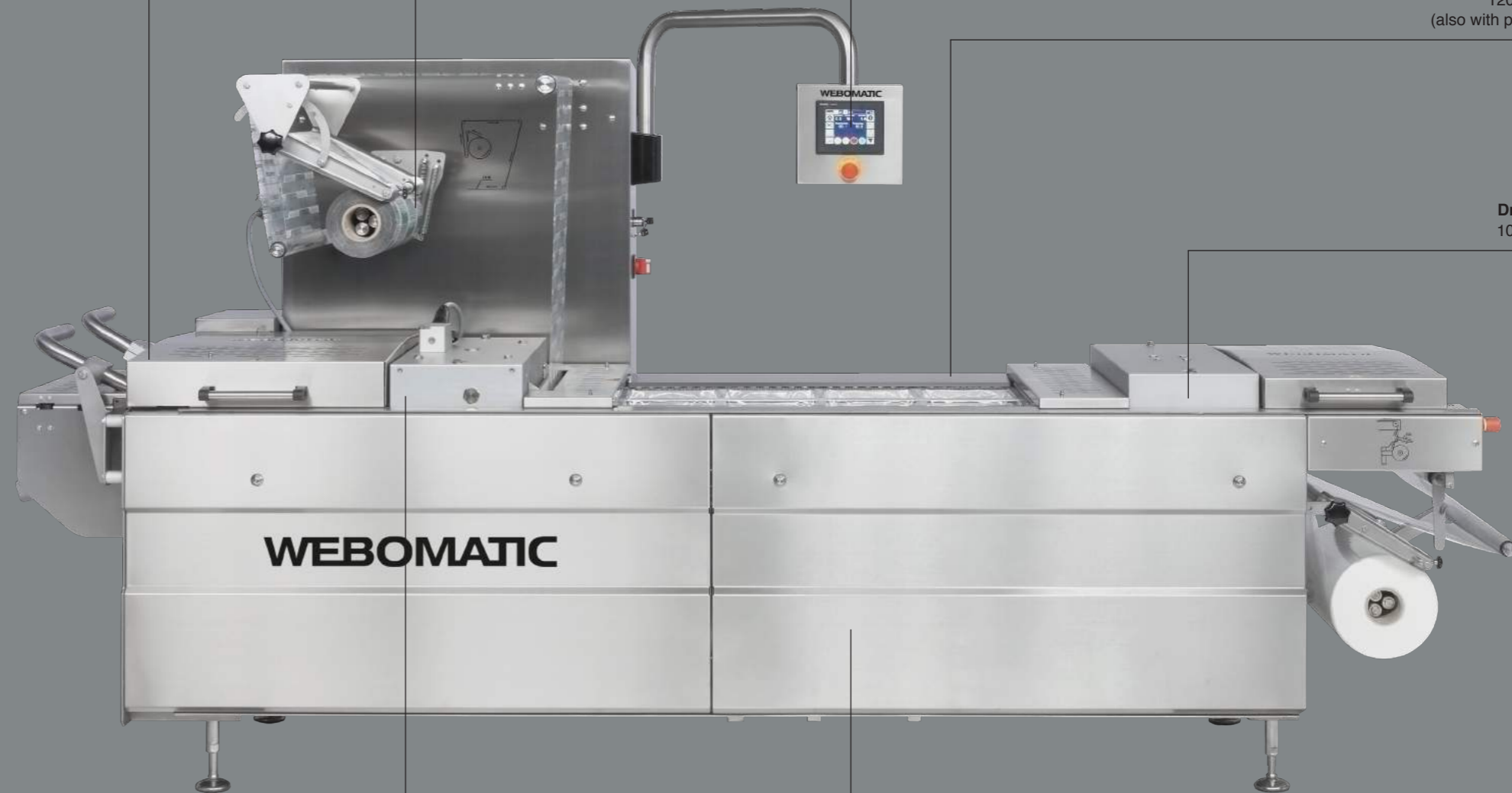
**Packaging types:**  
Sealing, vacuum, MAP, skin, shrink

**Machine dimensions:**  
3.740 x 1.070 x 1.820 mm  
(L x W x H)

**Control unit:**  
Mitsubishi PLC, touch screen 8,4"

**Repeat length/Index:**  
120 – 300 mm  
(also with pre-heating)

**Draw depth:**  
10 – 130 mm



**Packaging output:**  
up to 18 cycles/min  
(depending on product and application)

**Vacuum pumps, for 50 Hz:**  
internal 140 m<sup>3</sup>/h, external depending on application (other capacities, voltages and frequencies upon request)





# ML-C 3600

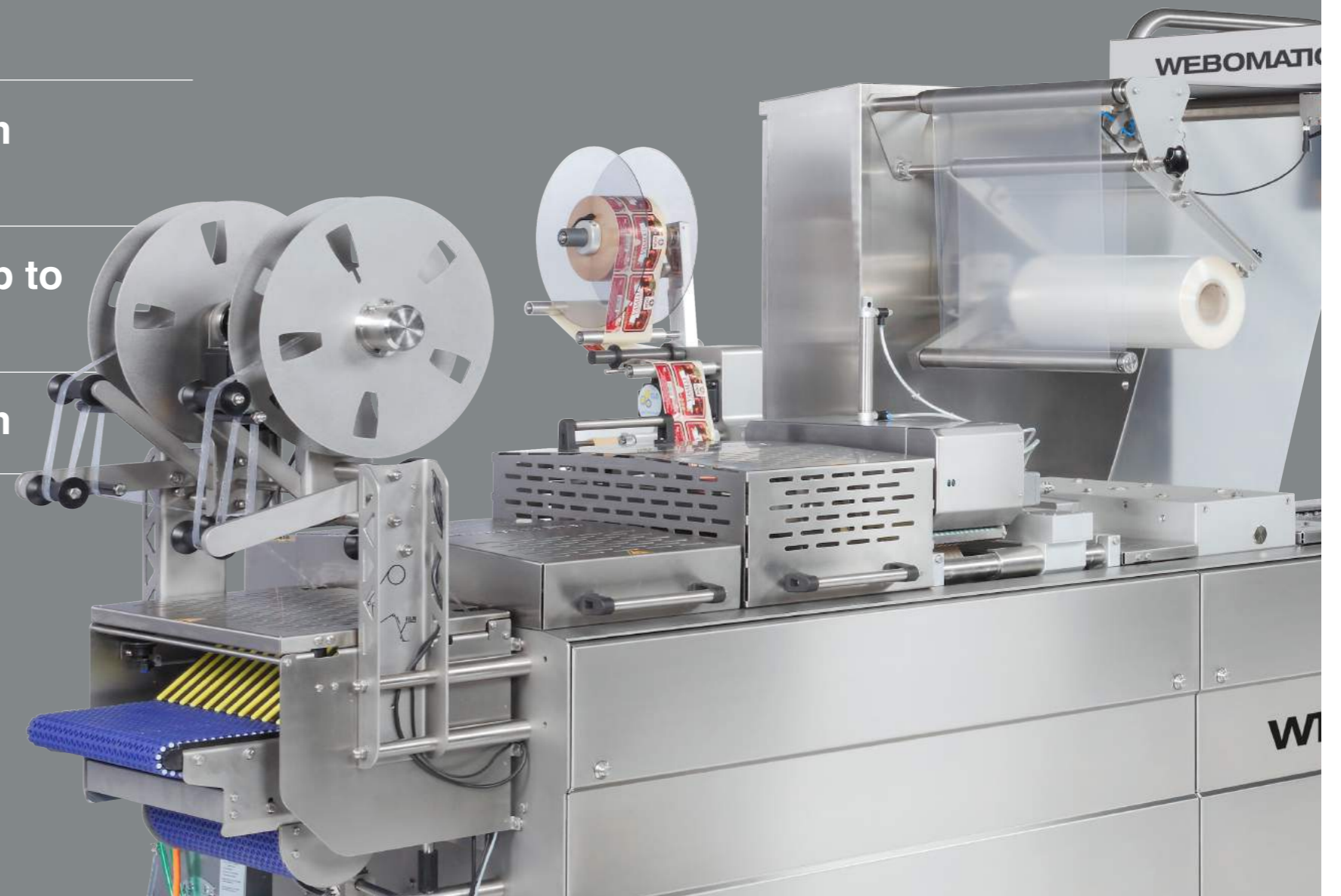
Modular design with length up to 15 m to fulfill starting automatization requirements

Flexible and rigid films, even optional top film forming

Films up to 462 mm of width, repeat length up to 400 mm

Labels optionally on both top and bottom film

Support jumbo rolls for the bottom film in straight line or at 90° angle



# ML-C 3600

The modular ML-C 3600 is built precisely according to your packaging specifications and is perfectly fit for medium productions and prepared for plenty of extra options.

The machine length can be extended from an economic 4.5 m up to a stately 15 m. Depending on specification, the ML-C 3600 can process rigid films up to 600  $\mu\text{m}$  with a width of up to 462 mm in repeat lengths up to 400 mm.

**Standards:** WEBOMATIC

CleanDesign®, Sealing Technology ,  
PLC control unit, WEBOMATIC  
Servo-Drive Technology

**Packaging types:**  
Sealing, vacuum, MAP, skin, shrink

**Machine dimensions:**  
Length: 4.500 – 15.000 mm  
Width: 1.130 – 1.190 mm  
Height: 1.980 mm ( $\pm 35$  mm)

**Control unit:**  
Mitsubishi PLC, touch screen 8,4"

**Repeat length/Index:**  
120 – 400 mm  
(400 mm pre-heated)

**Draw depth:**  
10 – 130 mm

**Packaging output:**  
up to 16 cycles/min  
(depending on product  
and application)

**Vacuum pumps, for 50 Hz:**  
internal 250 m<sup>3</sup>/h, external depending on  
application (other capacities, voltages and  
frequencies upon request)



# ML-C 5600

Industrial capacities and modular design  
with extendable length up to 20 m

---

Flexible and rigid films, even optional top  
film forming

---

Processes film width up to 562 mm, repeat  
length up to 600 mm

---

Optimal distribution of power and grip by  
double knee lever system

---

High degree of customization



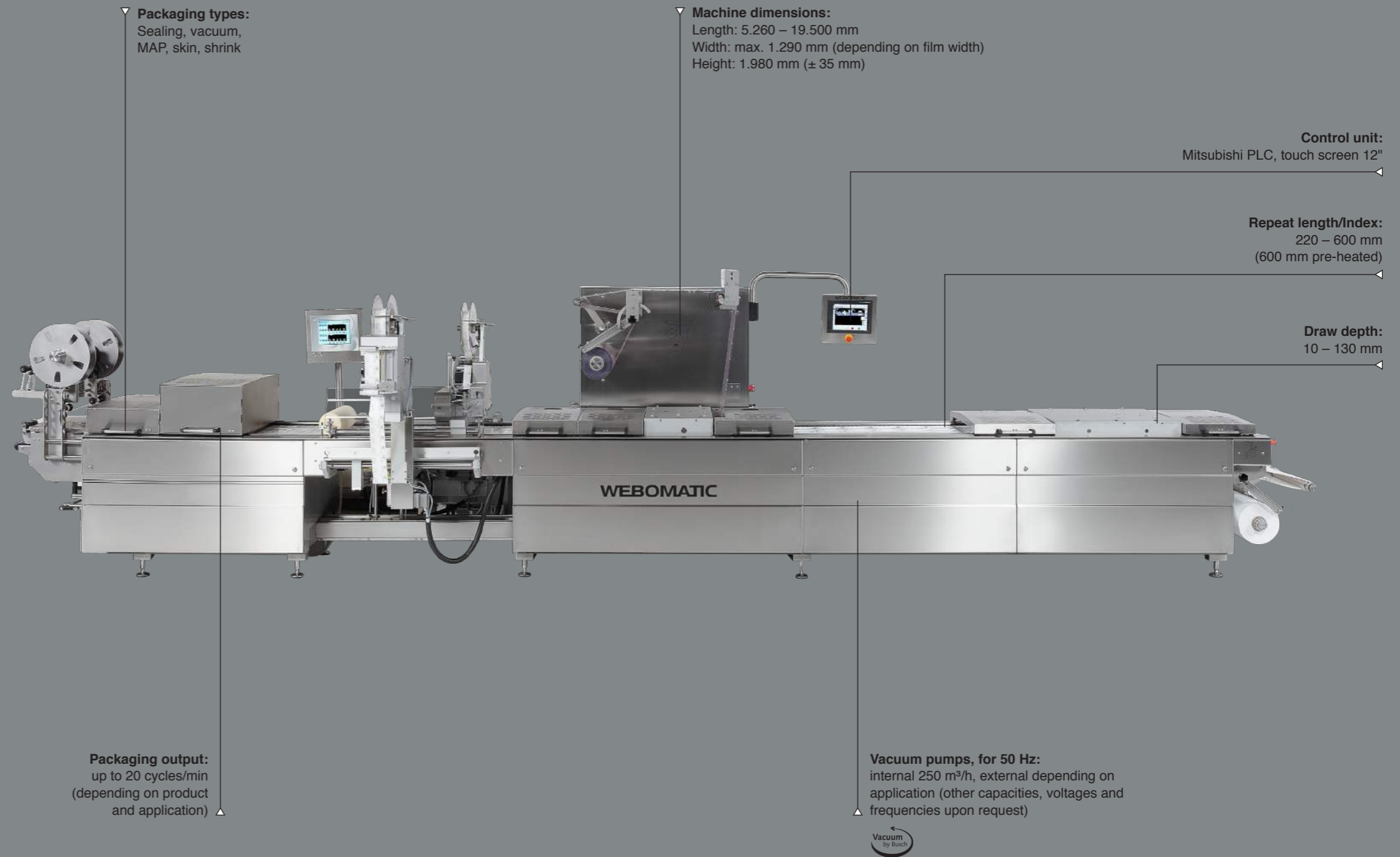


# ML-C 5600

The thermoforming machine ML-C 5600 meets the highest demands for industrial sized production while it is designed for large production environments and is suited for high-speed operation. With its film width, repeat length/index and optimized lifting movement, the machine is ideal for automated operation in a packaging line with integrated slicers, pick-and-place robots, multi-head weighers etc.

The innovative lifting system including compact hygienic cylinders and a double knee lever ensure a high closing pressure of the format die for precise movements and formidable packaging designs. To reduce compressed air consumption, a combination with individual stroke adjustment and lifting are simple but efficient. Also, vacuum valves are placed directly at the die. This means even shorter ways to create vacuum and that adds up to a quicker production. Depending on specification, the ML-C can process rigid films up to 600  $\mu\text{m}$  with a width of up to 562 mm in repeat lengths up to 600 mm.

**Standards:** WEBOMATIC CleanDesign®  
Sealing Technology, PLC control unit,  
WEBOMATIC Servo-Drive Technology





# ML-C 5600-skin

Protrude-Skin packaging by full-surface sealing without modifying the shape or color of the product

---

High puncture-safety guarantees the best possible protection against external influences (depending on film quality)

---

Reduced use of materials for less resource consumption

---

Max. draw depth of 70 mm for flat and exclusively looking packagings

# ML-C 5600 -skin

Skin packaging is an additional variation which has been further developed according to the properties of the ML-C 5600. With a thermoformed skin pack, your product receives a skin-tight enclosure of a clear-transparent top film. This special skin film is being sealed full-surface onto the bottom film without impairing the product. The result is a pack of excellent quality with enhanced food safety and the best possible product presentation – no matter if the product is presented hanging or lying at the point of sale.

**Standards:** WEBOMATIC CleanDesign®  
Sealing Technology, Skin application,  
PLC control unit, WEBOMATIC  
Servo-Drive Technology





# ML-C 7600

High-end thermoforming for large production capacities

---

Great deep draw of 190 mm and repeat length up to 1.000 mm for bulkier and heavier products

---

High degree of customization with multiple options for tailored packaging and efficient production processes



# ML-C 7600

The WEBOMATIC thermoforming machine ML-C 7600 is the high-performance solution for the industrial serial production of sophisticated thermoformed packaging up to three shifts per day. This machine combines decades of experience with speed, precision and potential. Depending on the equipment, this industry-focused thermoformer processes all commercially available film materials up to 600  $\mu\text{m}$  with a width of up to 662 mm, repeat lengths up to 1.000 mm and a draw depth of 190 mm. With the robust machine design and long-lasting components, the ML-C 7600 is maintenance and service-friendly.

**Standards:** WEBOMATIC CleanDesign®  
Sealing Technology, PLC control unit,  
WEBOMATIC Servo-Drive Technology

**Packaging types:**  
Sealing, vacuum, MAP, skin, shrink

**Control unit:**  
Mitsubishi PLC, touch screen 12"

**Repeat length/Index:**  
200 – 1000 mm  
(600 mm pre-heated)

**Max. draw depth:**  
190 mm

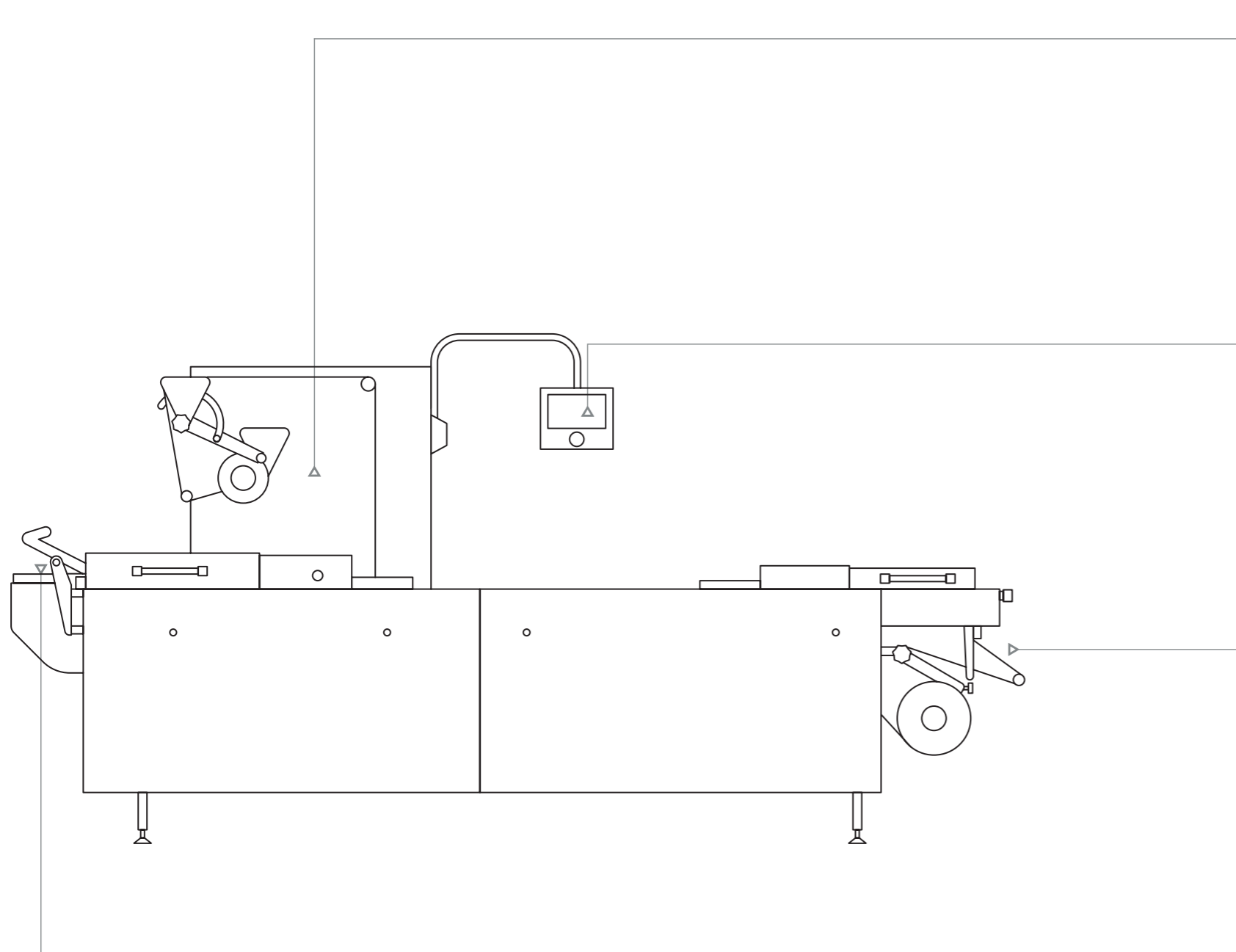
**Packaging output:**  
up to 15 cycles/min  
(depending on product  
and application)

**Vacuum pumps, for 50 Hz:**  
volume depending on application  
(other capacities, voltages and  
frequencies upon request)

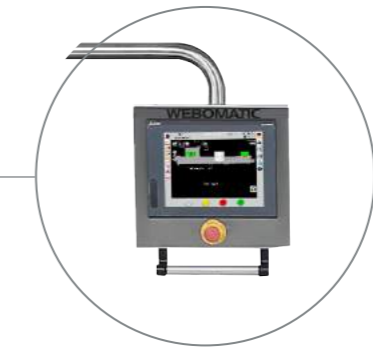
**Machine dimensions:**  
Length: 5.820 – 22.000 mm  
Width: 1.200 – 21.400 mm (depending on film width)  
Height: 2.070 mm (+50/-20 mm)



# Technical focus



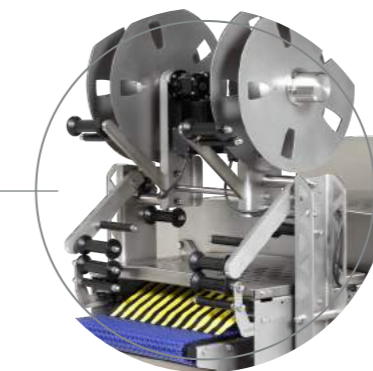
**WEBOMATIC CleanDesign®** and the highest stainless-steel (AISI 304) ratio compared to other models so that the design and construction make the thermoforming machines robust and durable.



PLC control unit from Mitsubishi and **WEBOMATIC In-house programming**, to prepare for tailored digitalization concepts. Rotatable and swiveling touch screen with a graphical interface and necessary production data control.



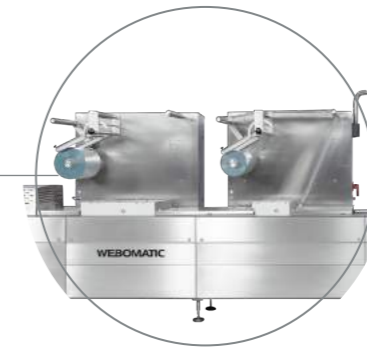
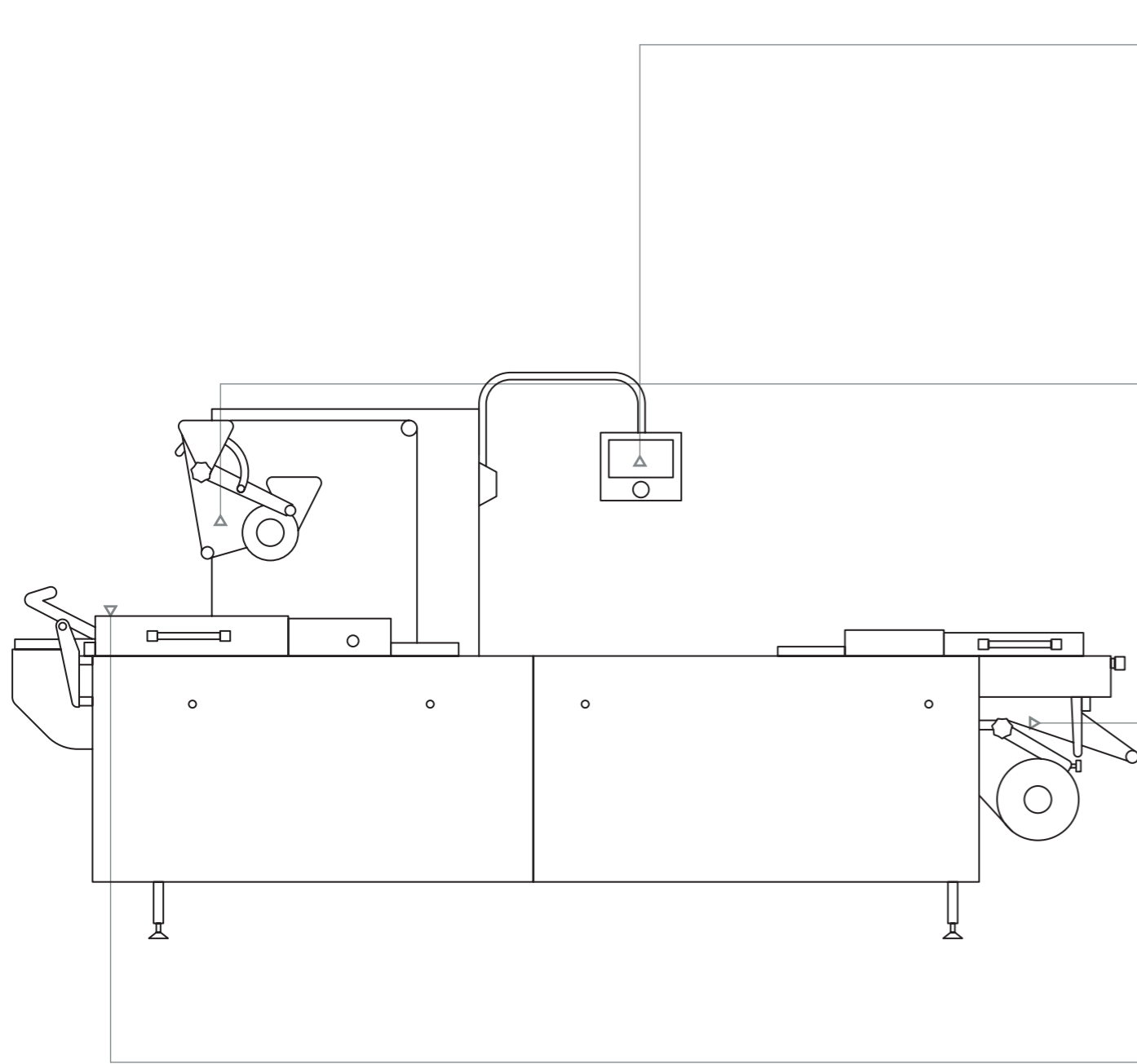
Other **peripherals like slicers, multi-head weighers**, etc. can be easily integrated in the automated packaging process.



**Film strip rewinding** for safe and nearly noiseless film rewinding with damage film detection.



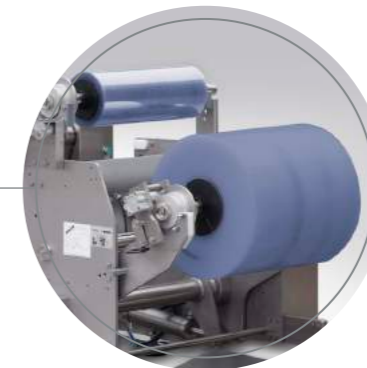
# Technical focus



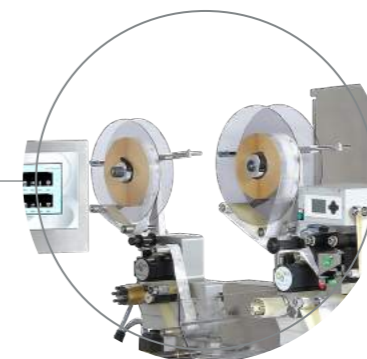
Saving time by changing the format “on the fly” during the running production by switching on the PLC control with **On-The-Fly Format Change**.



**Duplex top and bottom film unwinding** for faster top film changes and less downtime during the packaging process.

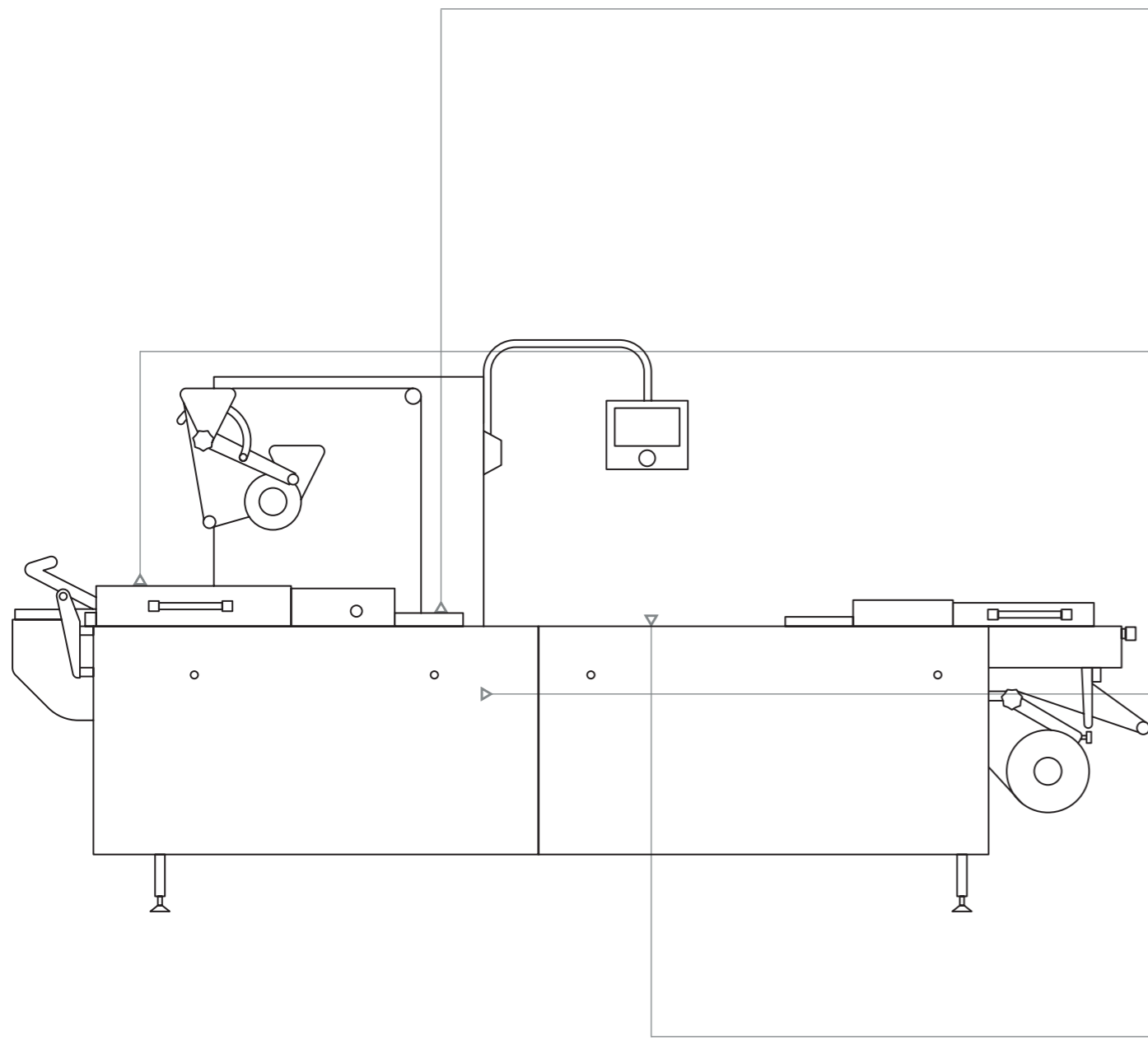


**Jumbo reel for bottom film:** an important prerequisite for uninterrupted production with pre-alarm for end of the film and pre-loading of a new film roll without stopping the production.



Other **peripherals** to customize the automated packaging process, e.g., with labeling systems, metal detectors or others.

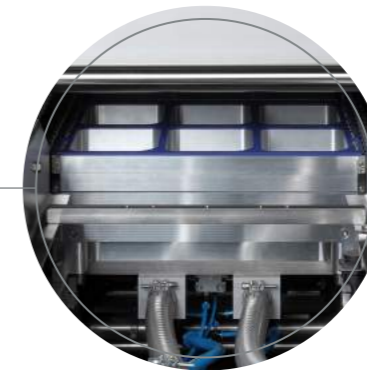
# Technical focus



With **top film forming** stable Snap-In Lids are created out of rigid top film to fit resalable packages.



Various **cutting possibilities** enable precise packaging contours: in order to prevent sharp-edged corners of the rigid film (fish hook), a roll shear strip cutting is available.



**Quick-changing device** to enable a fast and easy change of sealing plates with minimal machine downtime and a step-by-step guide on the PLC control unit.



The **height-adjustable roller chain** in the infeed zone supports a consistently transport of heaviest products in the loading area.

## Standards and Individualization

WEBOMATIC thermoforming machines stand out through their durable stainless steel design, with the highest ratio of stainless steel within the branch, and their modularity concept. Every machine is uniquely built to match each customer, e.g. with automatic operation in packaging lines with integrated slicers, pick-and-place robots, multi-head weighers. Generating these experiences with countless simple and complex technological ideas, enable a world full of possibilities for contemporary and overall reliable machines. So WEBOMATIC will continue to build durable machines with a solid foundation of extensive engineering experience, application-oriented practice, the use of exceptionally high-quality materials and synergies with top-class suppliers to guarantee the prime WEBOMATIC Quality.



## WEBOMATIC CleanDesign®



All **WEBOMATIC** thermoforming machines are built in **WEBOMATIC CleanDesign®** to meet the highest hygienic demands. Thanks to the thoughtful and application-oriented machine design, tasks like frequent cleaning and predictive maintenance of **WEBOMATIC** thermoforming machines are as comfortable as they are fast. Easily accessible are all hygienic-relevant machine parts for a meticulously detailed cleaning.

---

BEVELED SURFACES SUPPORT FLUID DRAINAGE

---

EASY ACCESS TO ALL HYGIENICALLY RELEVANT PARTS

---

ONGOING FAST AND EASY CLEANING PROCESS

---

AVOIDANCE OF INGRAINED DIRT

---

EFFORTLESS WASH-DOWN

---

STANDARD EQUIPMENT FOR ALL MODELS





## WEBOMATIC Sealing Technology

By standard, all WEBOMATIC thermoforming machines work with easily changeable sealing grids, that are simple to handle and easy to clean. Longer life of the gaskets is ensured due to pressure relieves on all edges and thanks to the fine surface structure, strong seals are the usual case.



## WEBOMATIC On-The-Fly Format Change

The switch between the two formats requires no manual change or machine downtime since the thermoforming machine can switch between two different formats “on the fly” by pushing a button on the PLC control unit. This does not only minimize costly machine downtime, it also allows for low error rates and thus supports an efficient production flow. The only requirement is the same film supply and index length for both formats (applicable from ML-C 3600).

## WEBOMATIC Servo-Drive Technology (SDT)

All WEBOMATIC thermoforming machines are equipped with the Servo-Drive Technology: This standard highlight allows absolutely exact film movements and clear transparency in the packaging process. Through several servomotors, the film transport is dynamic, energy-efficient and highly-precise, allowing for an increased packaging performance per film roll.



## Quick-changing device for sealing plates

This innovative quick-changing device allows for a fast and easy change of sealing plates with minimal machine downtime. A step-by-step guide on the PLC control unit leads the operator through the process while the sealing plate change works almost fully automatic with the included transfer frame for the sealing formats. No further auxiliaries are needed so that the quick-changing device relies on available mechanisms and resources to pursue a quick and overall user-friendly sealing plate change.



## Film strip rewinding

A film strip rewinding for stronger film material with tear-off control, which winds up film strips safely and almost noiselessly. The clean and wound-up film residues are disposed of quickly.





## WEBOMATIC In-house programming

**WEBOMATIC in-house programming** makes customization on PLC control unit level possible and guarantees a control system designed to your individual needs. This can be different menus, languages or user authorization levels, as well as various forms of data analysis tools or to foster digitalisation to all angles of the production.

Depending on the required depth of production data analysis, many options are available to customize and to ensure both transparency and traceability throughout every machine movement. Either on the machine's touch screen or mobile devices. For example, predictive maintenance, error analysis and other connections to peripheral devices can be implemented and managed to connect the packaging machine with industry standards. Additional user identification pins assure stress-less machine operation, even with frequently changing personnel and without stopping the production processes.





## Duplex top and bottom film unwinding

Especially if high-volume packaging is required, the avoidance of downtime and assurance of efficient workflow is key to optimal and cost-efficient production.

The duplex top or bottom film unwindings allow for maximum packaging flexibility and minimize product relevant machine downtimes:

### Support for productions with frequently changing packaging types:

NEW TOP AND NEW BOTTOM FILM, E.G. CHANGE OF WHOLE PACKAGING STYLE OR PRODUCT

NEW TOP FILM ON SAME BOTTOM FILM, E.G. APPEARANCE CHANGE FOR PREMIUM AND STORE BRANDS

SAME TOP FILM AND NEW BOTTOM FILM, E.G. PARTIAL APPEARANCE OR PRODUCT RELEVANT CHANGE LIKE CHANGES FROM FLEXIBLE TO RIGID FILM PACKAGING

With these options, additional rolls of film are already mounted on top and or bottom and are waiting to be switched into the packaging process at any time.

### Continuous production without downtime for film refills:

BY ADDING ADDITIONAL FILM ROLLS IN TOP AND OR BOTTOM, THE PRODUCTION CYCLE OF WEBOMATIC THERMOFORMING MACHINES CAN BE EXPANDED DECISIVELY.

Empty film rolls can be exchanged with a new film roll at any time. To reach even higher production efficiency, the optional film splicing table and splicing control unit can be integrated ensuring a fast and secure film change without loss of product.

## Jumbo reel

An essential prerequisite for continuous production: connected in a straight line or for confined spaces even with a version of 90° angle, this jumbo reel unwind system is available for film reels up to a diameter of 1.200 mm and supports high capacity packaging with precautionary alert before the film needs to be changed. By pre-loading a new film roll, the production continues without unnecessary downtime, hence, multiplying the film running time while avoiding frequent film change. A stainless steel trolley for film handling is always included.





# Options

## Options for individualized packaging

- MAP
- Also oxygen O<sub>2</sub>
- Skin or form shrink packaging
- Top film forming for Snap-in Lids
- Gas mixer and/or analysis device
- Pre-heating systems
- Knee-free loading zone
- Various forming procedures
- Various cutting systems
- Various pack coding and printing systems, like:
  - PRINT MARK CONTROL
  - LABELLING EQUIPMENT, BOTTOM AND TOP
  - STAMP CODING
  - HOT EMBOSSING
  - THERMO TRANSFER PRINTER
  - INKJET
  - LASER SYSTEMS
- Opening aids, like peel corners, bend and peel, etc.
- Detection systems

## Options for better processing and efficiency

- Various PLC control based aids:
  - COMMUNICATION MODULE
  - REMOTE DIAGNOSIS
  - EXTENDED PRODUCTION DATA ANALYSIS
  - ADAPTION AND TAILORING OF FURTHER DIGITALIZATION CONCEPTS
- WEBOMATIC On-The-Fly Format Change
- Quick-changing device for format change
- Jumbo reel device (straight or in 90° angle)
- Support rolls in the loading zone
- Film strip rewinding
- Height-adjustable split conveyor belt
- Secure water cooling system
- Lifting limit via PLC control unit
- Synchronisation with automatic supply system



# Unlimited packaging possibilities

All sealable and thermoformable flexible and rigid film materials can be processed on WEBOMATIC thermoforming machines. Our machines are continuously adjusted to worldwide packaging trends, like skin or shrink applications and renewable materials.

WEBOMATIC thermoforming machines can handle film material with 300 – 1,200  $\mu\text{m}$  thickness, film width up to 662 mm, a maximum forming depth of up to 190 mm and a maximum cut-off length of up to 1000 mm. The only requirement is the sealability and thermoformability of both films so that even unusual shapes and materials can be used.



All WEBOMATIC thermoforming machines can be used within automatic packaging lines. For further details see the additional brochure “Shrinking and Drying Units”.







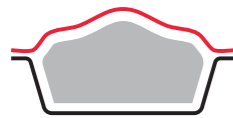
# Packaging

WEBOMATIC thermoformers allow for outstanding packaging individualization possibilities - with simple base materials like film, almost any packaging shapes, cuts and branding at nearly every speed are key to this packaging technology.



## Simple thermoforming

Simple thermoforming or sealing is easy and fast packaging that lays the focus on outside protection of the product. No modified atmosphere or vacuum is applied; this technique is usually found in the packaging of medical goods in cleanrooms and is not recommended for the packaging of food.



## Vacuum

Vacuum packaging prolongs the shelf life of food by evacuating the natural atmosphere in the package and hence, slows down biochemical degradation.



## Modified atmosphere (MAP)

The natural atmosphere in the package is replaced with an optimised gas mixture that is blended explicitly for each product to prolong its shelf life

The atmosphere in the packaging is replaced with a tuned gas mixture, enhancing product presentation and shelf life. An added blend of, e.g. carbon dioxide, oxygen and/or nitrogen can prolonge shelf life and support colour and form of the product.

# Special packaging



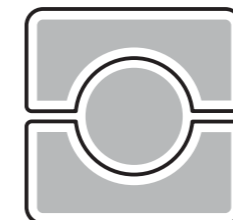
## Snap-In Lid made of rigid top film

With the top film forming technique, stable Snap-In Lids are formed of rigid film to fit re-closable packages. It is recommended to combine the top film forming with MAP, to benefit from both the shelf life-prolonging feature and the usage of most possible branding.



## Form Shrink

Particular shrinkable thermoforming films are used to pack products in vacuum and to shrink it in a further refining step. After the product is vacuumed, the packaging is conveyed through a shrinking unit that shrinks the film tightly around the product and results in a form shrink package.



## WEBOMATIC 2pack

Our development is a thermoforming pack with several chambers, some of which are skinned and others injected with modified atmosphere (MAP). This combination of two packaging types is exclusively offered by WEBOMATIC and unique in the packaging industry. Further, any division of skin or MAP cavities can be individually adjusted.

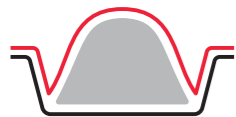
## Skin-Packaging

The skin-packaging process creates particularly appealing packages: thanks to the full-surface sealing without changing the shape or colour of the product, a perfect fixation of the product in the packaging is made possible. The top film envelops the product like a second skin and is then sealed to the bottom film to create an outstanding product presentation. Hence, the packed product can be positioned upright regardless of its contents (e.g. marinated products, processed meat, fish, poultry, cheese, dairy products, seafood, or other).



## Pseudo-skin

The pseudo-skin technique allows for the production of skin packaging with products as tall as the tray depth.



## Protrude-skin

With a thermoformed skin pack, your product receives a skin-tight enclosure of a clear-transparent top film. This particular skin film is being sealed onto the full surface of the bottom film without impairing the product. The result is a pack of excellent quality with enhanced food safety and the best possible product presentation – no matter if the product is presented hanging or lying at the point of sale. The Protrude-skin technique allows for the production of skin packaging with protrusion up to 50 mm. It is common in the combination of a flat tray and a tall product.

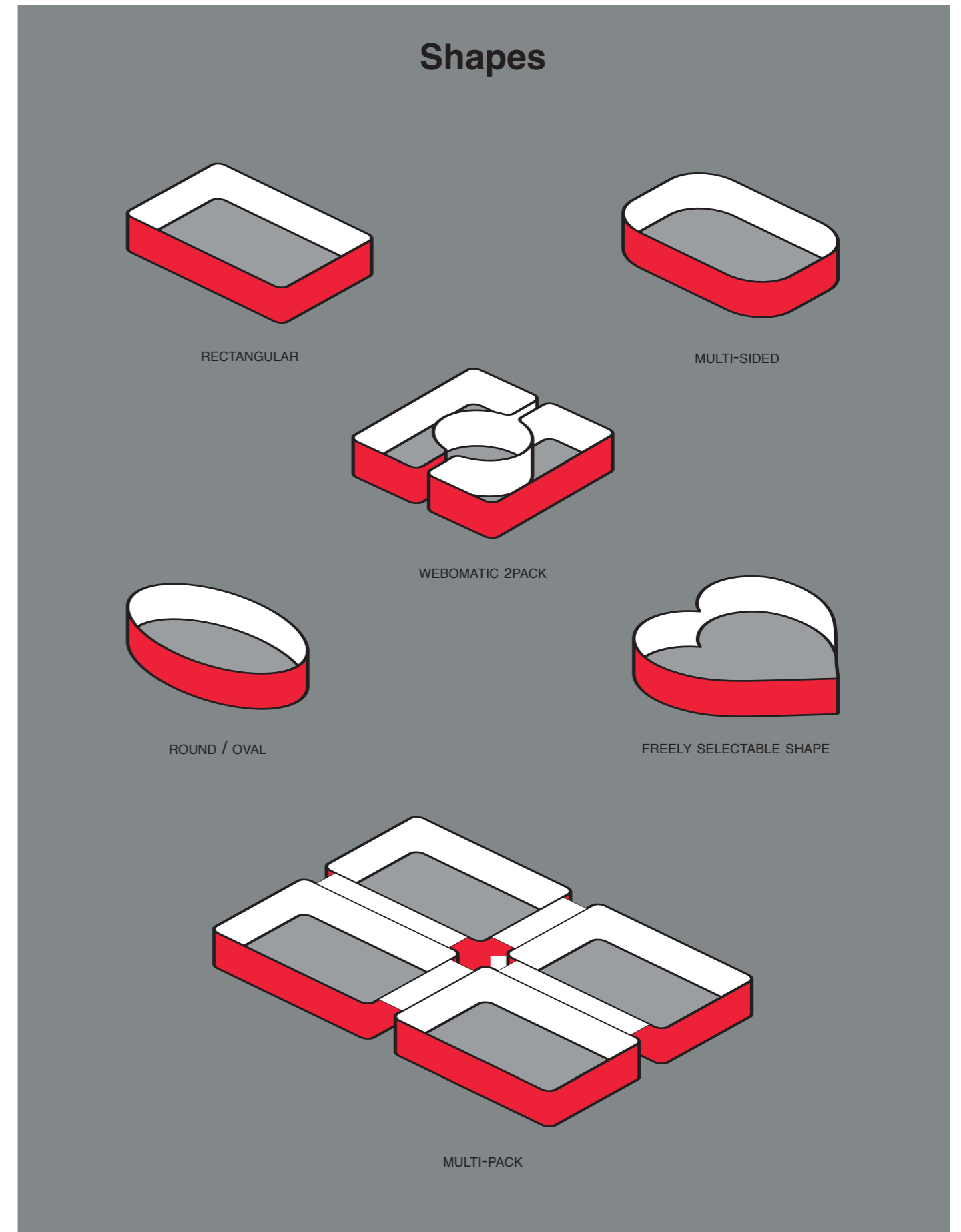


# Packaging individualization

No matter if round, rectangular, animal-shaped or whatever form is preferred: on-demand our machines can produce packaging suited for package placements on shelves (lying, standing, hanging) with or without opening aids (among others Snap-in Lids), modified atmosphere packaging (MAP) or skin packaging in different variations (Protrude-skin, Pseudo-skin, 2pack).

WEBOMATIC thermoforming machines can process all thermoformable and sealable film materials like, e.g. PA/PE, Tyvec, PP, PET, PS, PVC. Naturally, our thermoforming machines also pack in vacuum and form shrink.

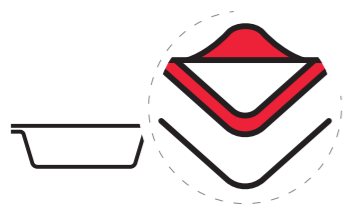
Sealable film materials	Packaging shapes	Packaging styles
Mono and composite Films (PP, PS, PE, EPP, PVC, PLA, A-PET, C-PET, E-PET, etc.)	Rectangular	Vacuum
	Multi-sided	MAP
		Skin
Skin films	Round	2pack
		Form shrink
Shrink films	Oval	
Board	Freely selectable shape	<b>Opening aids</b>
Aluminum	Multi-packs	Peel corner
		Bend and peel
		Zigzag cut
Renewable raw materials (cellulose, Fibre)		<b>Hanging options</b>
Unprinted film		Hang-up hole
Printed film		Euro hole



# Opening aids and hanging options

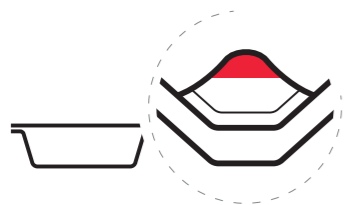
What is worse than a poorly sealed package?

A thermoforming package that has to be opened with a knife. To avoid frustrated consumers, different packaging opening aids, reclosing and hanging options for shelf storage are available by option.



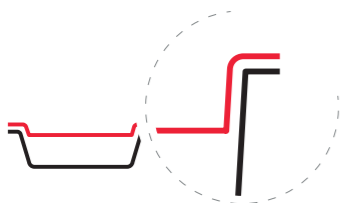
## Peel corner with dimple

To open the package smoothly, an adjusted sealing position that seals the package and small formed dimple in the corner allow for gripping the top film effortlessly and opening the package.



## Bend and peel

The corner of the bottom film is perforated with a 45° angle and sticks to the top film when the packaging is opened, ensuring a firm grip on the corner and is highly recommended for skin-packaging.



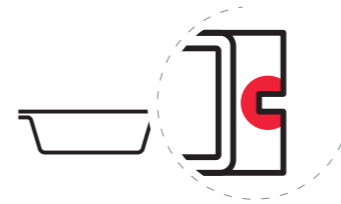
## Snap-In Lid

Top and bottom film are formed matching, hold perfectly together and ensure that the package can be re-closed.



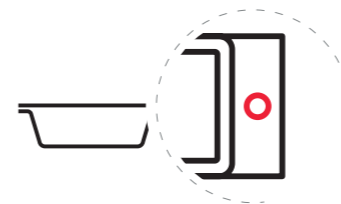
## Zigzag cut

Especially with flexible films, the Zigzag cut allows for an easy opening of the package at any chosen spot.



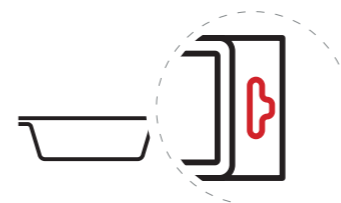
## Tear cut

An intended cut connected with the sealing to provide easy opening.



## Hang-up hole

Easiest way to hang the package by a hang-up punch hole.



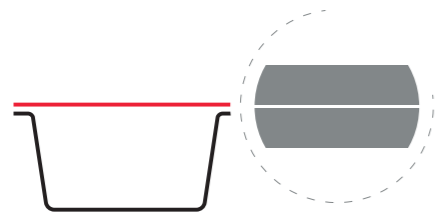
## Euro hole

Typical in supermarket displays, the euro hole is the most common hole to hang packagings flexible and independent from the shelf system.

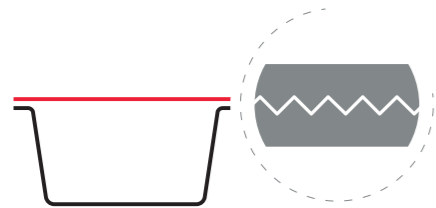


# Contour-Cutting

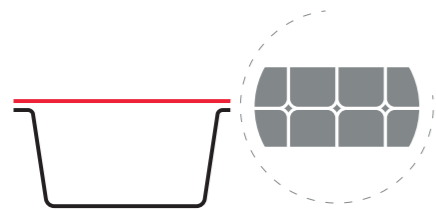
The finishing touch for your thermoformed packaging:



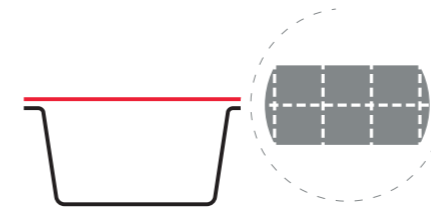
**Standard guillotine cut**



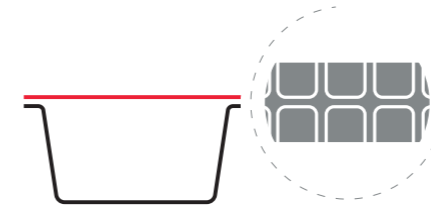
**Zigzag cut**



**Punching of rounded corners**



**Perforation cut**



**Strip punch / Roller shearing striping cut**



**Contour or complete cut**

# Partners

Customers reliably use WEBOMATIC packaging machines in more than 120 countries. Through our branches in Europe and with our worldwide network of more than 150 sales and service partners, we are always happy to advise and assist you on-site at any time.

WEBOMATIC is currently present in 45 European cities and 55 on other continents.



Headquarter:

● BOCHUM, GERMANY



Subsidiaries:

● SALZBURG, AUSTRIA



● CLUJ-NAPOCA, ROMANIA



Rep. office:

● SZCZECIN / KRAKÓW, POLAND

# WEBOMATIC

Building trust since 1958

We will continue to build trustworthy machines with a solid foundation. Our legacy will continue to inspire us and our future partners.

FOCUSED  
ON WHAT  
WE DO BEST  
SINCE DAY ONE:  
**VACUUM  
PACKAGING.**

When it comes to optimal vacuum packaging of:

- perishable foods
- medical equipment
- highly sensitive industrial products

**WEBOMATIC**  
is the responsible partner you need.



Technical changes reserved. All WEBOMATIC machines comply with the valid European regulations according to CE, EAC and EMV.  
© WEBOMATIC 03/2019 All rights reserved.



WEBOMATIC Maschinenfabrik GmbH  
Hansastraße 119  
44866 Bochum | Germany

Contact us:  
[info@webomatic.de](mailto:info@webomatic.de)  
[www.webomatic.de](http://www.webomatic.de)

# WEBOMATIC

[www.webomatic.de](http://www.webomatic.de)

