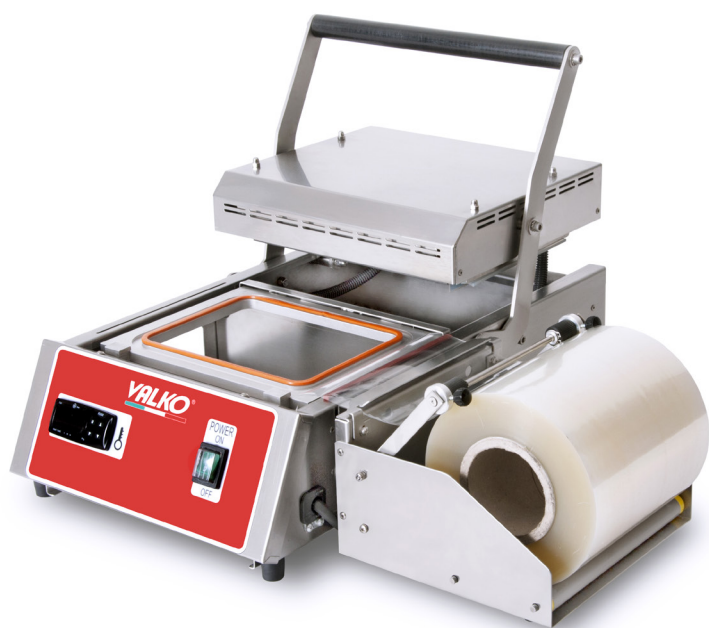


New
2020

VALKO[®]
SINCE 1995

Safe transport for home delivery

Hermetic manual tray sealers **TS₂XL**



Single mould



Double mould



Customized mould

Tray sealer **TS₂XL**

Single mould 180 x 180 mm

Single mould 140 x 195 mm

Double mould 95 x 140 mm X 2

Customized mould

Cod. 1410V242

Cod. 0404VH01

Cod. 0404VG93

Cod. 0404VG94

Cod. TSSPECIA

TS₂XL Characteristics

- In stainless steel, bestseller among our manual tray sealers
- Suitable for small gastronomies, caterings, ready meals suppliers
- Easy to use
- Quick mould changing
- Minimal maintenance

Sealing

- It allows to perfectly seal any kind of food, either warm or cold
- 100% hermetic sealing
- Greatest resistance: the sealing film can resist to stress and to any possible impact during transport
- Design: the perfect transparency allows to value what's in the tray

#VALKOprofessionals



VALKO[®]
SINCE 1995

VALKO SRL
Via Berlino, 1
24040 Bottanuco
Bergamo, Italy



+39.035.4992010



+39.035.4992015

www.valko.com

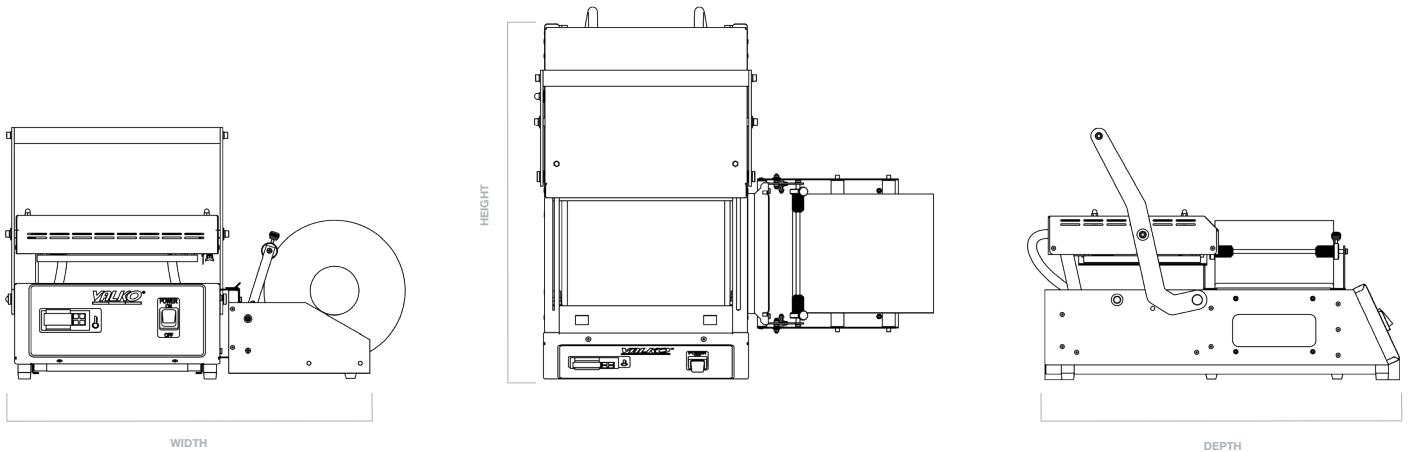
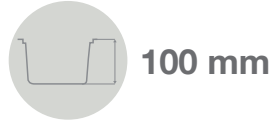
info@valko.com

New
2020

VALKO[®]
SINCE 1995

Hermetic manual tray sealers TS₂XL

Cod. 1410V242 - TS₂XL



Model	Width	Depth	Height	Mould			Max. height of the tray	Roll		Voltage	Power	Weight
				Single impression	Double impression	Max. impression		Max. width	Max. ø			
TS ₂ XL	568 mm	555 mm	385 mm	195x140 mm	n°2x140x95 mm	240x180 mm	100 mm	190 mm	200 mm	230V~	600 W	Kg 16

New TS₂XL Moulds

Pack perfectly with the professional tray sealers VALKO - Gastronomy approved.



Single mould
180 x 180 mm



Single mould
140 x 195 mm



Double mould
95 x 140 mm X 2



Customized
mould

#VALKOprofessionals



VALKO[®]
SINCE 1995

VALKO SRL
Via Berlino, 1
24040 Bottanuco
Bergamo, Italy

+39.035.4992010
+39.035.4992015

www.valko.com
info@valko.com